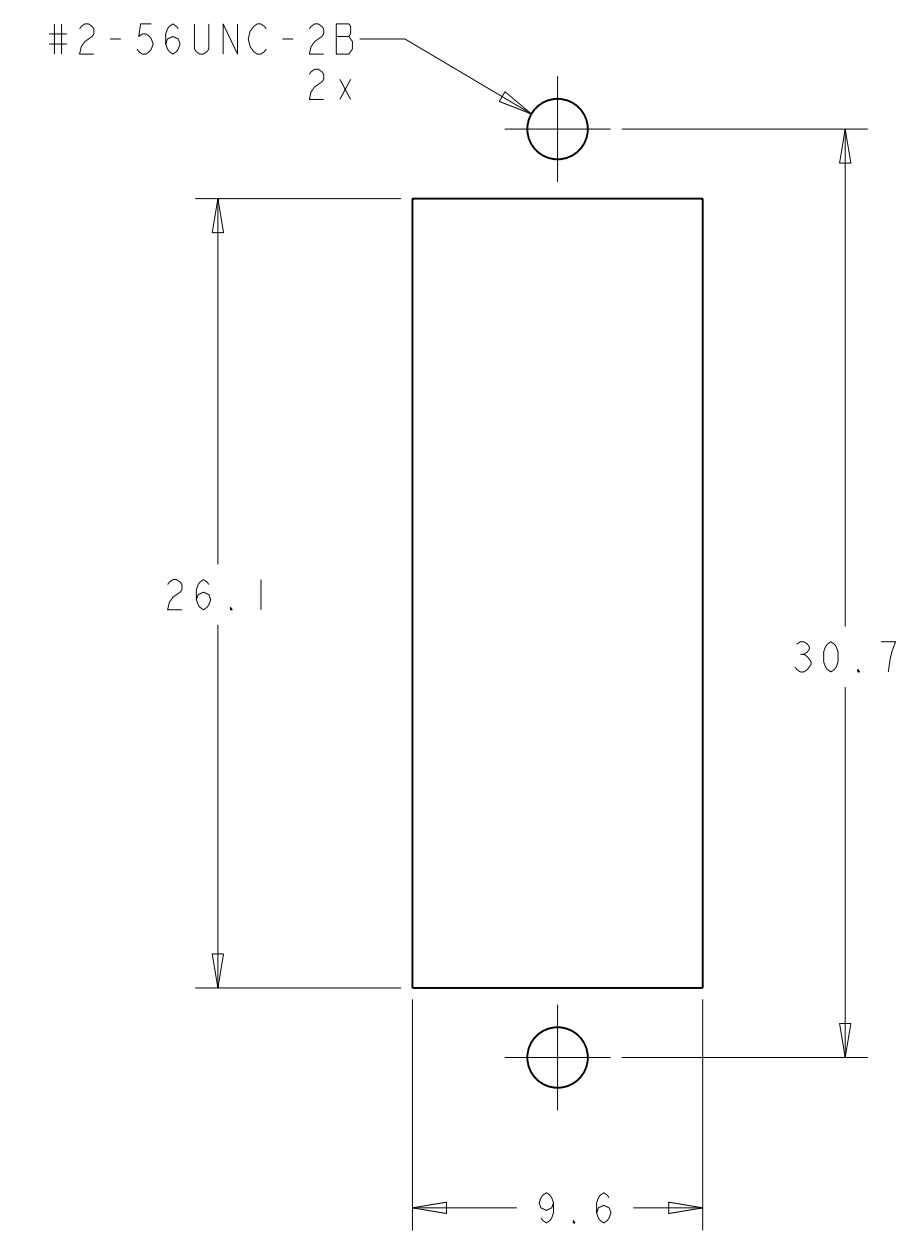
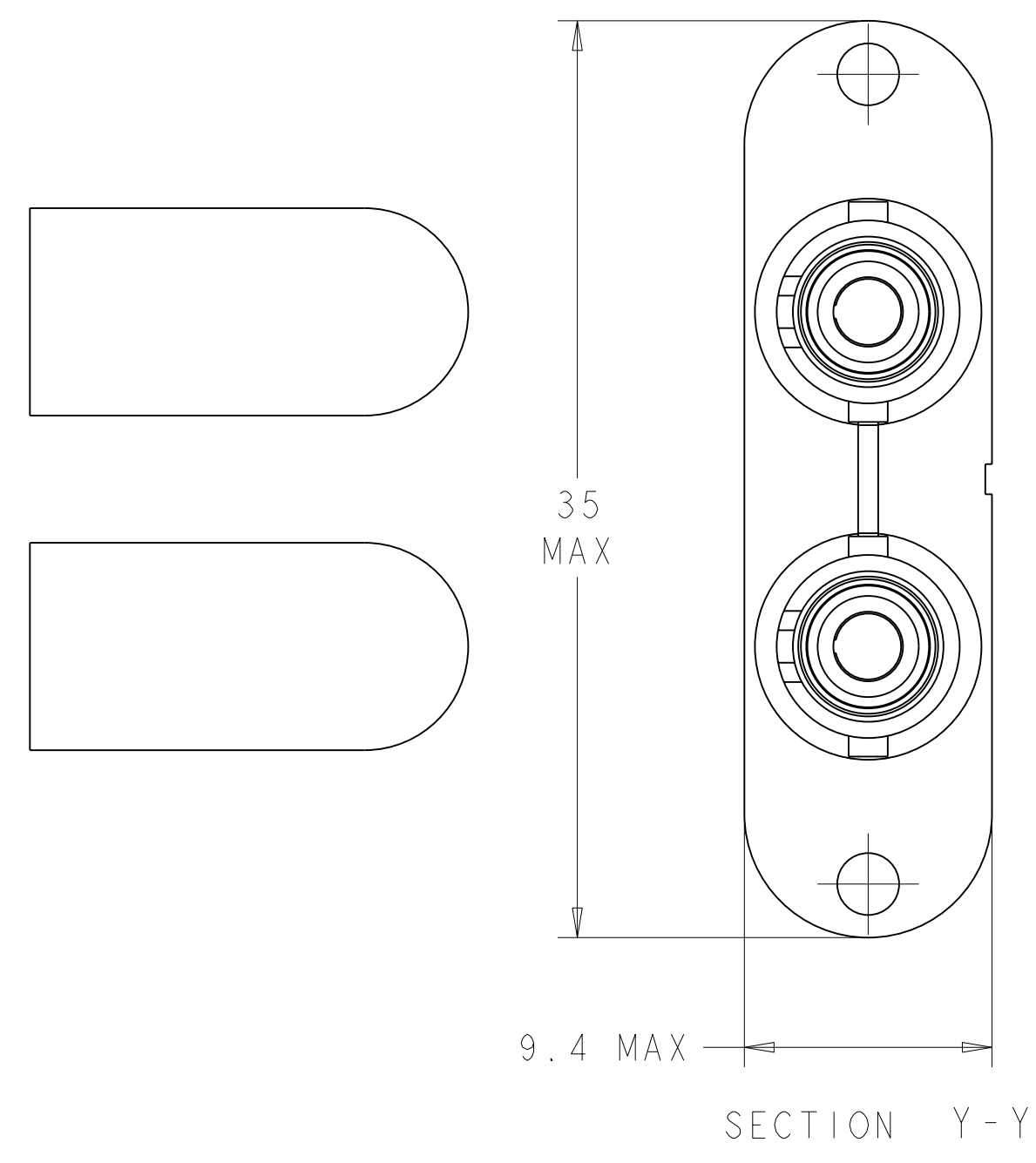
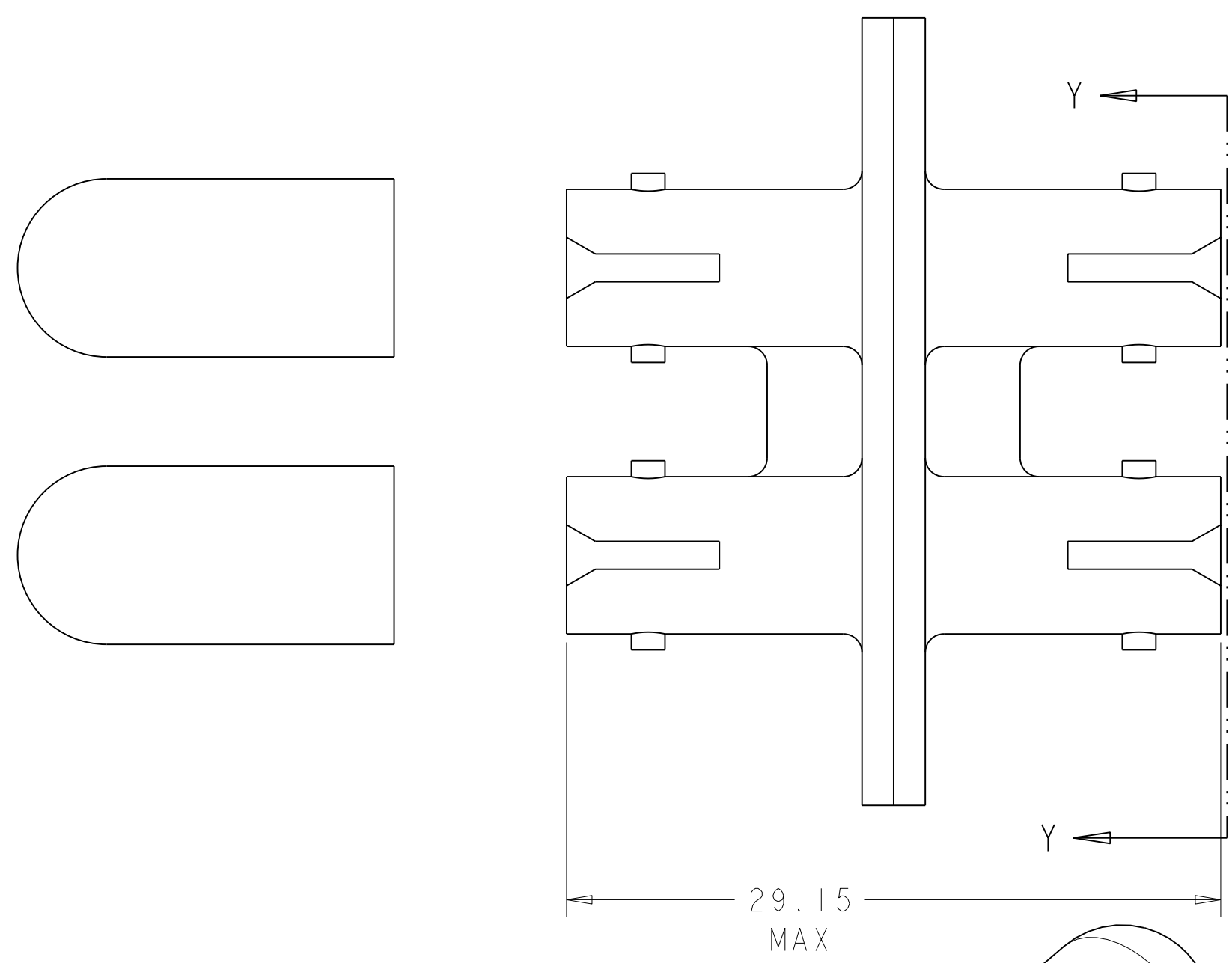


THIS DRAWING IS UNPUBLISHED. RELEASED FOR PUBLICATION 20
 © COPYRIGHT 20 BY TYCO ELECTRONICS CORPORATION. ALL RIGHTS RESERVED.

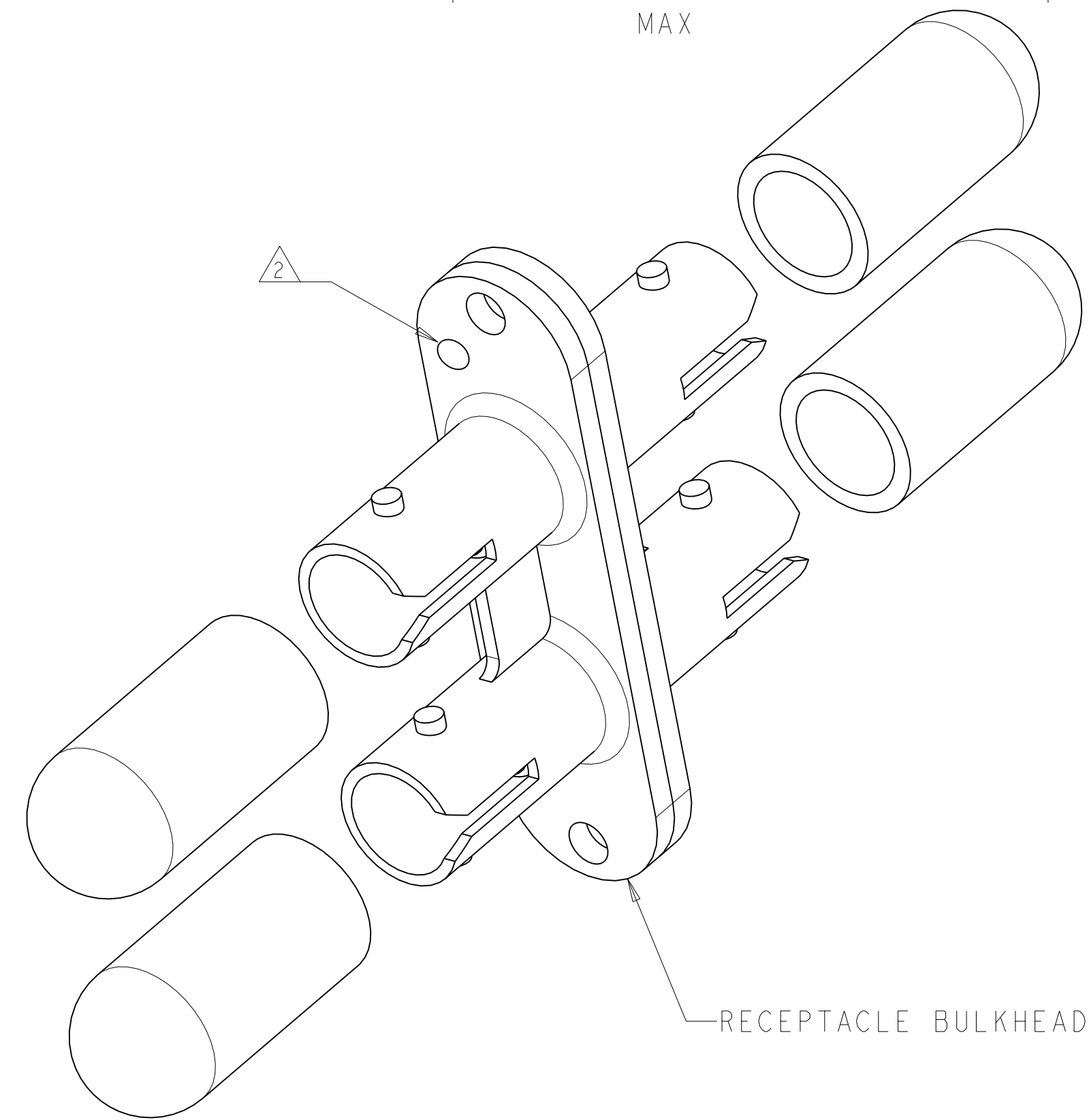
LOC		DIST		REVISIONS			
P	LTR	DESCRIPTION	DATE	DWN	APVD		
CE	00	C	REVISE PER ECR-05-013728	31OCT2005	BB	SB	



SUGGESTED PANEL CUTOUT
 MAXIMUM PANEL THICKNESS 1.7

△ MATERIAL:
 PROTECTIVE CAP: VINYL
 COUPLING RECEPTACLE:
 HOUSING: PPE AND PS, UL94 V-0 RATED AT QUALIFYING THICKNESS,
 SEE DASH NUMBER FOR COLOR.
 SLEEVE: METAL

△ PART IDENTIFIER.



RECEPTACLE BULKHEAD

BEIGE	504662-2
LT. ALMOND	504662-1
COLOR	MATERIAL

THIS DRAWING IS A CONTROLLED DOCUMENT FOR TYCO ELECTRONICS CORPORATION IT IS SUBJECT TO CHANGE AND THE CONTROLLING ENGINEERING ORGANIZATION SHOULD BE CONTACTED FOR THE LATEST REVISION.		DWN B. BRIGGS	31OCT2005	Tyco Electronics Harrisburg, PA 17105-3608	
DIMENSIONS: mm		CHK S. BUCHTER	31OCT2005	NAME DUPLX RECEPTACLE KIT, MULTIMODE, BULKHEAD, AMP ST-ST	
TOLERANCES UNLESS OTHERWISE SPECIFIED:		APVD S. BUCHTER	31OCT2005	PRODUCT SPEC	
0 PLC ±		APPLICATION SPEC		SIZE CAGE CODE DRAWING NO RESTRICTED TO	
1 PLC ±0.1		WEIGHT		A200779 C=504662	
2 PLC ±		CUSTOMER DRAWING		SCALE 4:1 SHEET 1 OF 1 REV C	
3 PLC ±					
4 PLC ±					
ANGLES ±					
FINISH					